



2020 Giza

2020 Giza is the leading sales and planning software for office design professionals that doesn't require AutoCAD®. Create appealing client presentations, develop fast, detailed quotes, design complex layouts and generate a comprehensive bill of materials—all from a single software platform. The suite contains three base applications, 2020 Giza, 2020 Worksheet and 2020 Visual Impression. 2020 Giza is the most easy to use space planning software in the industry, and 2020 Worksheet is a powerful tool for product specification, pricing and creating proposals. 2020 Visual Impression provides high-quality 3D renderings of your designs.

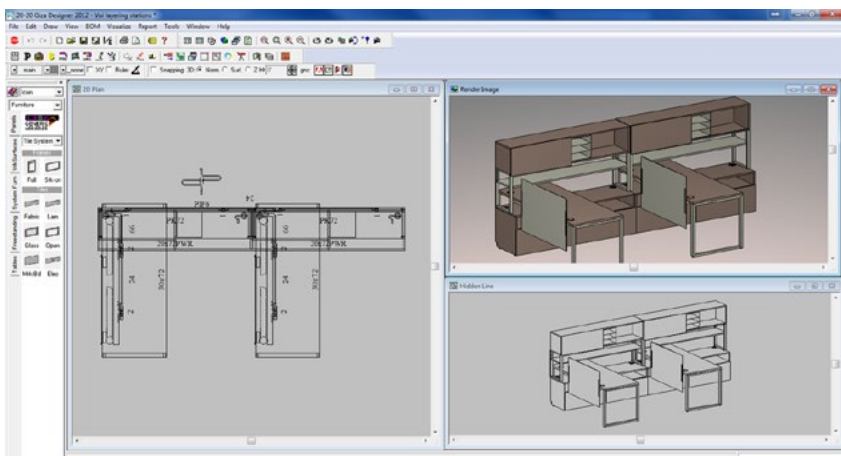
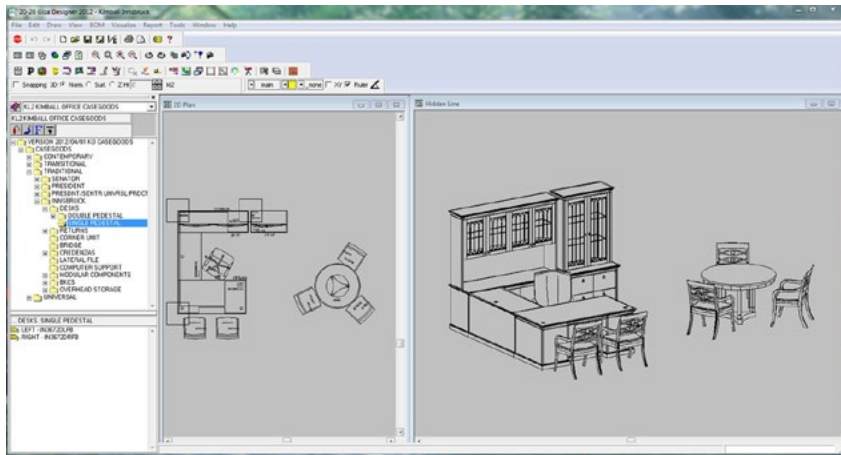
2020spaces.com/2020Giza

The Challenge

To keep up with the competition, designers need to turn projects around faster. They need easy-to-use software that creates accurate designs and layouts in an intuitive space planning tool. They need software that can manage more projects and create quick, accurate quotes in minutes.

The Solution

2020 Giza is easy-to-use software for building quotes and presentations that can shorten the sales cycle and create more efficient, more profitable design and sales teams. It's a non-AutoCAD®-based tool with the integrated features to import from and export to AutoCAD®, allowing effective communication with others in the architecture and design community. 2020 Giza measures up as your business grows as it's the ideal software for both simple and complex projects.



Benefits

Close more sales

Easily create winning, professional proposals including complete space plans and line-item estimates.

Limit the learning curve

Create accurate designs and layouts in an intuitive space-planning tool that does not require AutoCAD®.

Increase output

Boost your productivity, handling more projects and more clients, to ultimately increase profits.

Handle any size project

Handle simple or complex projects with ease.

Make fewer planning errors

Virtually eliminate design and specification errors and submit clean orders so projects are delivered on time and on budget.

Features

Icon menu

Select products from manufacturer-specific graphics on the icon menu for quick and intuitive use.

Design-assist tools

Speed up the design process and increase project accuracy with advanced design automation tools.

Architectural tools

Draw architectural features like walls, doors and windows without the need for a traditional CAD-based architectural tool.

Vignette plot

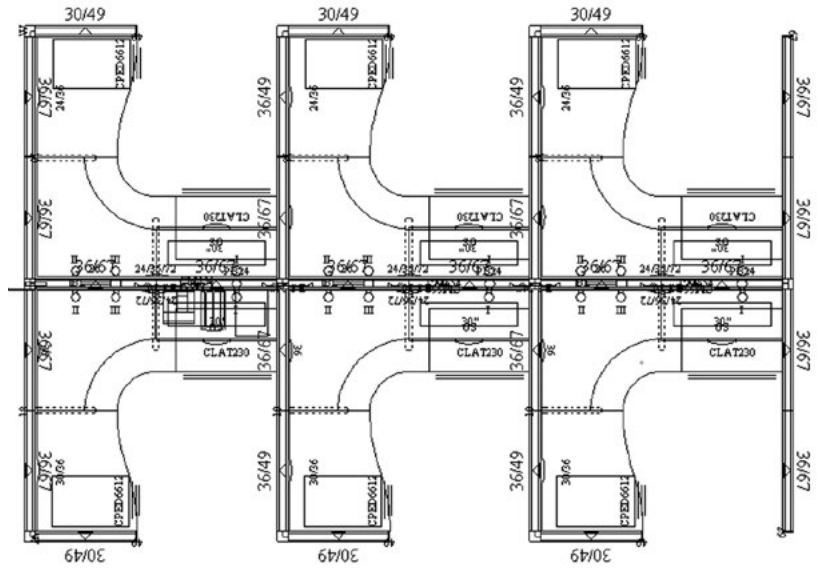
Build professional presentations by creating single-page proposals with plan views, hidden line renderings and bills of materials.

Media menu

Present and demonstrate company and product information with 3D renderings, animation and other custom content.

2020 Visual Impression

Every license of 2020 Giza comes with a companion license of 2020 Visual Impression that delivers amazing visuals for your project. Access designs on your iPad®, even when you're on the road!



Easily create complex space plans in 2D top views including complete architecture.



Simply click to create a 3D hidden line view of a design.

2020

About 2020

2020 helps professional designers, retailers and manufacturers in the interior design and furniture industries capture ideas, inspire innovation and streamline processes. By providing end-to-end solutions and the world's largest collection of manufacturers' catalogs, 2020 provides businesses with the software and content to be more efficient, integrated and productive.



Professional

Enabling professional designers to create kitchens, bathrooms, closets and commercial offices which look as stunning on the screen as they will in reality.



Manufacturing

Providing furniture and cabinet manufacturers a complete manufacturing operations management capability developed to meet their needs.



Retail

Empowering interior home improvement retailers to inspire the imagination of their customers and accelerate decision making.



For system requirements, please visit 2020spaces.com/install

TF: +1.800.227.0038 T: +1.616.454.0000 F: +1.616.454.4140 E: office.sales@2020spaces.com

2020spaces.com

2020 Headquarters

20-20 Technologies, Inc.
400 Armand-Frappier Blvd.
Suite 2020
Laval, QC Canada H7V 4B4

Worldwide Offices

Americas
Laval, QC, Canada
Cary, NC, USA
Foxboro, MA, USA
Grand Rapids, MI, USA

Europe
Wiener Neustadt, Austria
Mouans-Sartoux, France
Osnabrück, Germany
Ashford, UK
Bolton, UK

Asia-Pacific
Guangzhou, China
Shanghai, China
Pune, India